

# PRODUCT INFORMATION PACKET

Model No: 5K49RN6429S

Catalog No: K1510

1 HP Condenser Fans HVAC/R Motor, 3 phase, 1200 RPM, 575 V, 56Z Frame, ODP  
Condenser Fans Motors



### Nameplate Specifications

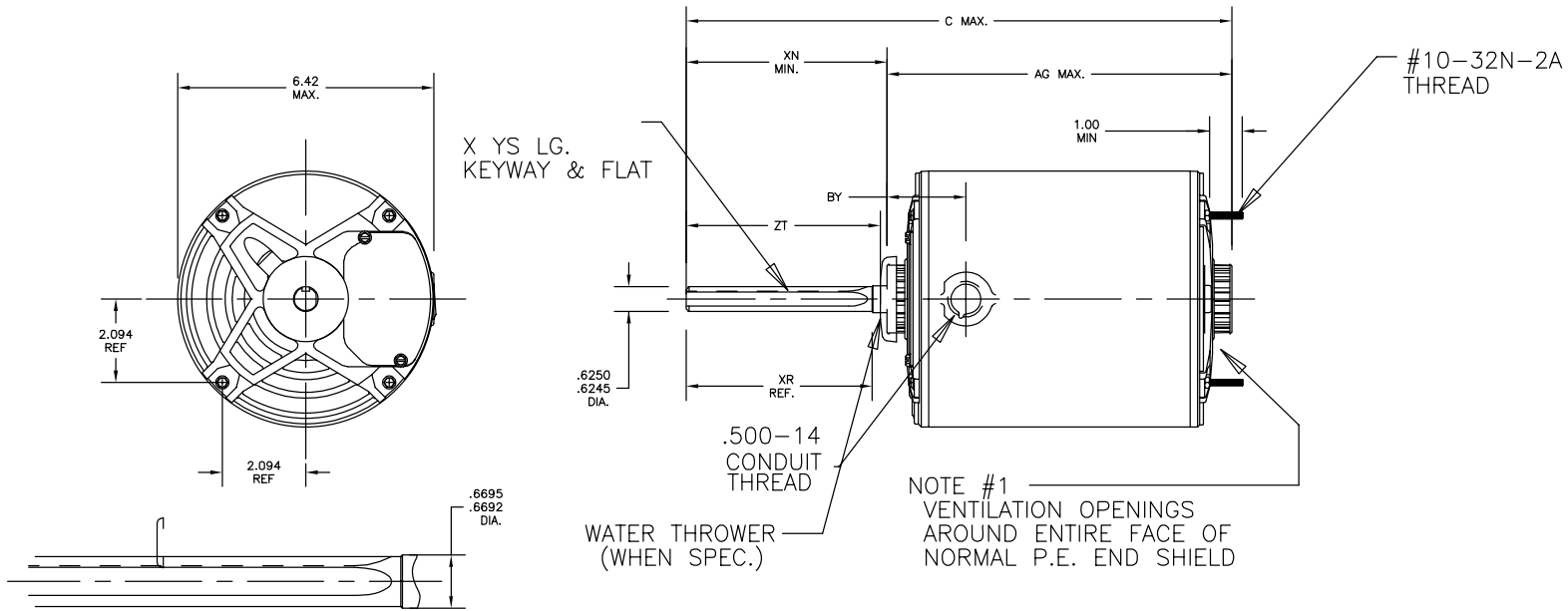
Output HP	1 Hp	Output KW	0.75 kW
Frequency	60 Hz	Voltage	575 V
Current	1.6 A	Speed	1140 rpm
Service Factor	1	Phase	3
Efficiency	75.7 %	Power Factor	0
Duty	Continuous	Insulation Class	B
KVA Code	J	Frame	56Z
Enclosure	Drip Proof	Thermal Protection	AUTO
Ambient Temperature	65 °C	Drive End Bearing Size	6203
Opp Drive End Bearing Size	6203	UL	Recognized
CSA	Yes	CE	N

### Technical Specifications

Electrical Type	Three Phase	Starting Method	N/R
Poles	6	Rotation	Counterclockwise/Clockwise
Mounting	Round	Motor Orientation	VSU
Drive End Bearing	BALL	Opp Drive End Bearing	Ball
Frame Material	Rolled Steel	Overall Length	16.02 in
Frame Length	7.68 in	Shaft Diameter	0.630 in
Shaft Extension	6 in	Thru-bolts Extension	1 in
Outline Drawing	52A110687P1	Connection Drawing	52A110554

This is an uncontrolled document once printed or downloaded and is subject to change without notice. Date Created:03/11/2020

52A110687

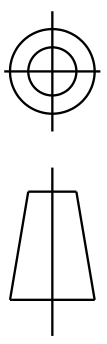


ENLARGED VIEW OF SHAFT EXTENSION

3	K	48	56Z	6.00	16.77	10.65	NOTE #1	8.43	2.07/1.95	5.74	4.00	
2	K	49	56Z	6.00	14.89	8.77	NOTE #1	6.55	2.07/1.95	5.74	4.00	
1	K	49	56Z	6.00	16.02	9.90	NOTE #1	7.68	2.07/1.95	5.74	4.00	5.77 5.73
P	TYPE	RBC SIZE	NEMA FR	XN	C	AG	REMARKS	SHELL LG.	BY	XR	YS	ZT

		TOLERANCES UNLESS SPECIFIED						DRAWN DS 5/23/03		
		DEC.	INCHES					CHK		
		.X	±0.1					APPD DS 09/8/2014		
			.XX	±0.02	TITLE				SCALE 1=1	
B	REPLACED GE WITH RBC PER ECO-0059212	PVN 09/8/2014	DS	.XXX	±0.005	OUTLINE				REF
1	CHG TO RBC FORMAT PER ISO5-1777	SUDA 4/25/06	SUDA	XXXX	±0.0005	40 FR. REDESIGN - OUTDOOR CONDENSOR -				FMF
NO.	REVISION	BY & DATE	CHK	ANG	±1.0	FINISH				PREV
THIS DRAWING IN DESIGN AND DETAIL IS OUR PROPERTY AND MUST NOT BE USED EXCEPT IN CONNECTION WITH OUR WORK ALL RIGHTS OF DESIGN AND INVENTION ARE RESERVED THIS IS AN ELECTRONICALLY GENERATED DOCUMENT - DO NOT SCALE THIS PRINT			RFP	CAD FILE			52A110687	SIZE	DRAWING NO.	REV.
			DIST				A	52A110687	B	

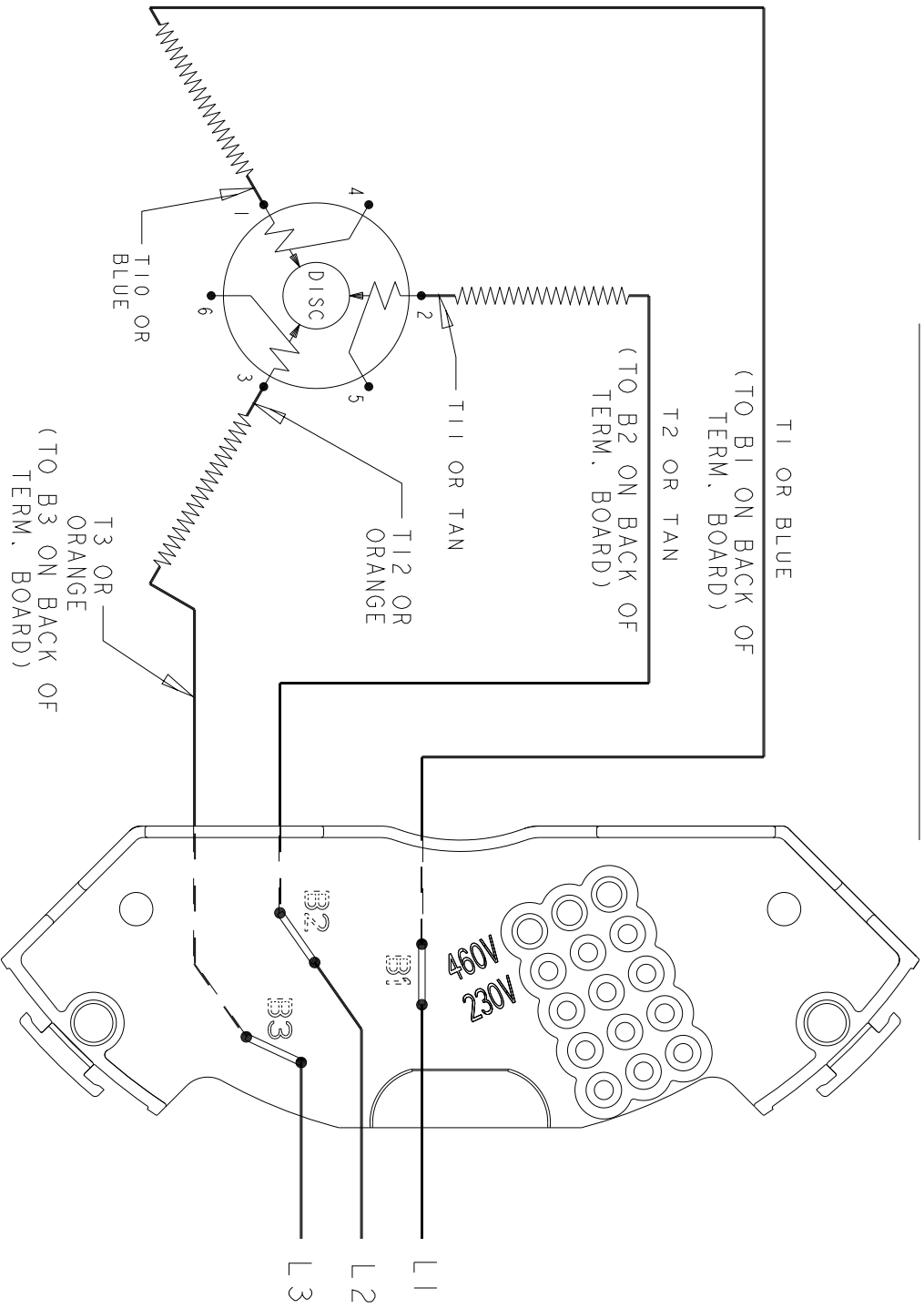
THIRD ANGLE PROJECTION



REVISIONS

REV.	DESCRIPTION	DATE	APPROVED
4	UPDATED TO RBC FORMAT	01/17/06	MAM
5	CHD. ROT. FROM CCW/CW TO DUAL	03/08/13	KARTHIK

DUAL ROTATION - SINGLE VOLTAGE  
 TYPE K - THREE PHASE - 3 LEAD  
 THERMAL PROTECTION



TO REVERSE ROTATION, INTERCHANGE ANY TWO LINE CONNECTIONS TO L1, L2 OR L3

TERMINAL BOARD - 114D918

REF. DIAG. - NONE

CONNECTION LABEL - NP52X333338AA

SIGNATURES	DATE
MODEL PC MOHAN	09/24/02
DETAIL	
CHECKED	
ENGRG	
MFG	
QUALITY	
ISSUED PC MOHAN	09/24/02
MATERIAL	SOLID MODEL: 52A110554



REGAL-BELOTT CORPORATION

CONNECTION DIAGRAM

TITLE	FME: TYPE K - VOLTAGE CHANGE DEVICE - SINGLE VOLTAGE	
SIZE	DRAWING	REV
A		5
SCALE:	1.000	REF. No:
		SHEET 1 of 1